

HF antenna - 1000 W
50 Ω 1,5-30 MHz

- Not necessary ATU

ELECTRICAL FEATURES

MECHANICAL FEATURES

Frequency	1,5 - 30 Mhz	Length	see the table
Impedance	50 Ω	Weight	see the table
Max Power	1000 W	Bottom diameter	35 mm
Polarization	Vertical	Base Installation	S/S Standard Base
Connection	N Female	Structure	Epoxy fiberglass
Lighting protection	No	Finishing	IR paint
DC closed	No	Colour	NATO Green
		Treatments	Black galvanization
		Chromium plating	20m copper
			20m nickel, 5m chrome
		Working temperature	-35C +80C
		Wind resistance	200 Km/h
		Base torsion force	see the table

Stakes



Ground Radial Kit



Bracing Ropes

Carry Bag

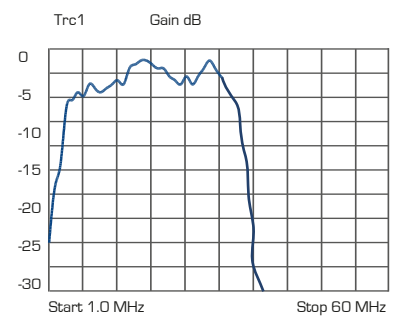
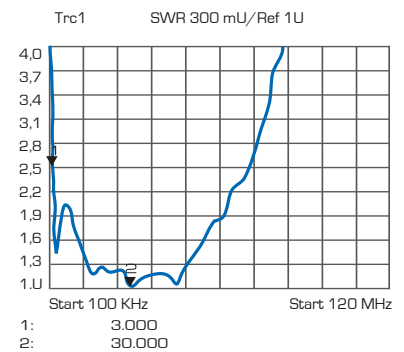
Hammer

Base with BoxTransformer



KIT COMPOSITION

- 1 Base
- 1 Box Transformer
- 3 x 13609 bracing ropes
- 6 x 13614 Ground stakes
- 1 x Ground radial kit
- 1 Hammer
- 1 Carry Bag with pocket for the elements
- 1 x 5 mt High insulation RF Cable



MILITARY

ENVIRONMENTAL SPECIFICATION

Temperature, salt, ice, sun irradiation resistance in accordance with MIL-STD 810H STANAG 4370 (NATO AECTP-230)

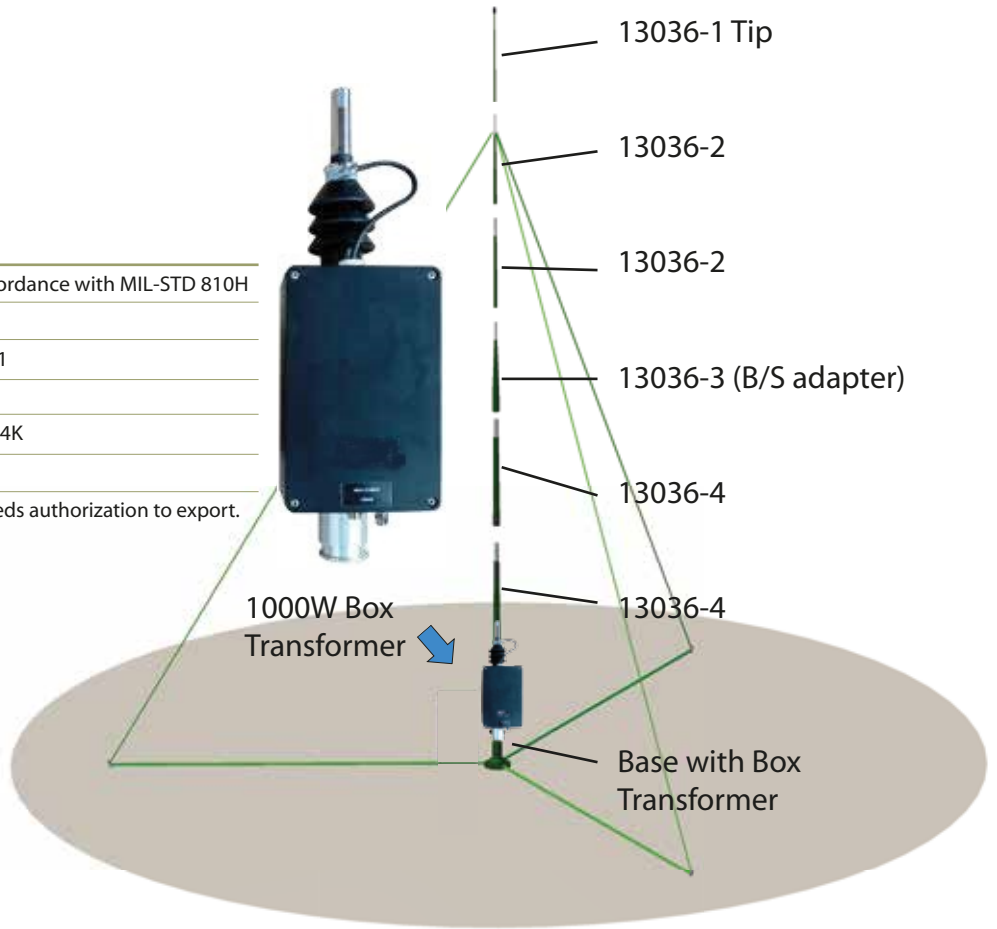
Vibration resistance in accordance with MIL-STD 167-1

Shock resistance in accordance with MIL-STD 810H

Treatments and painting in accordance with MIL-T-704K

and accordance with ETSI EN 300 019-2-4

Item subject to italian law 182 9 July 1990 n. 185 :It needs authorization to export.



Create your own antenna CS-13036-1/2/3 supplied as standard

	Sections	13036-1	13036-2	13036-3	13026-4	Lenght	Tot.Wheigt	Base th.	Torsion	Config.
13026 - 24	6	1	2	1	2	7,20 mt (24')	21 Kg	24mm(1")	150 N	stazionary
13026 - 28	7	1	2	1	3	8,50 mt (27,8')	22 Kg	24 mm(1')	200 N	stationary
13026 - 32	8	1	2	1	4	9,60 mt (32')	23 Kg	24mm(1")	250 N	stazionary

